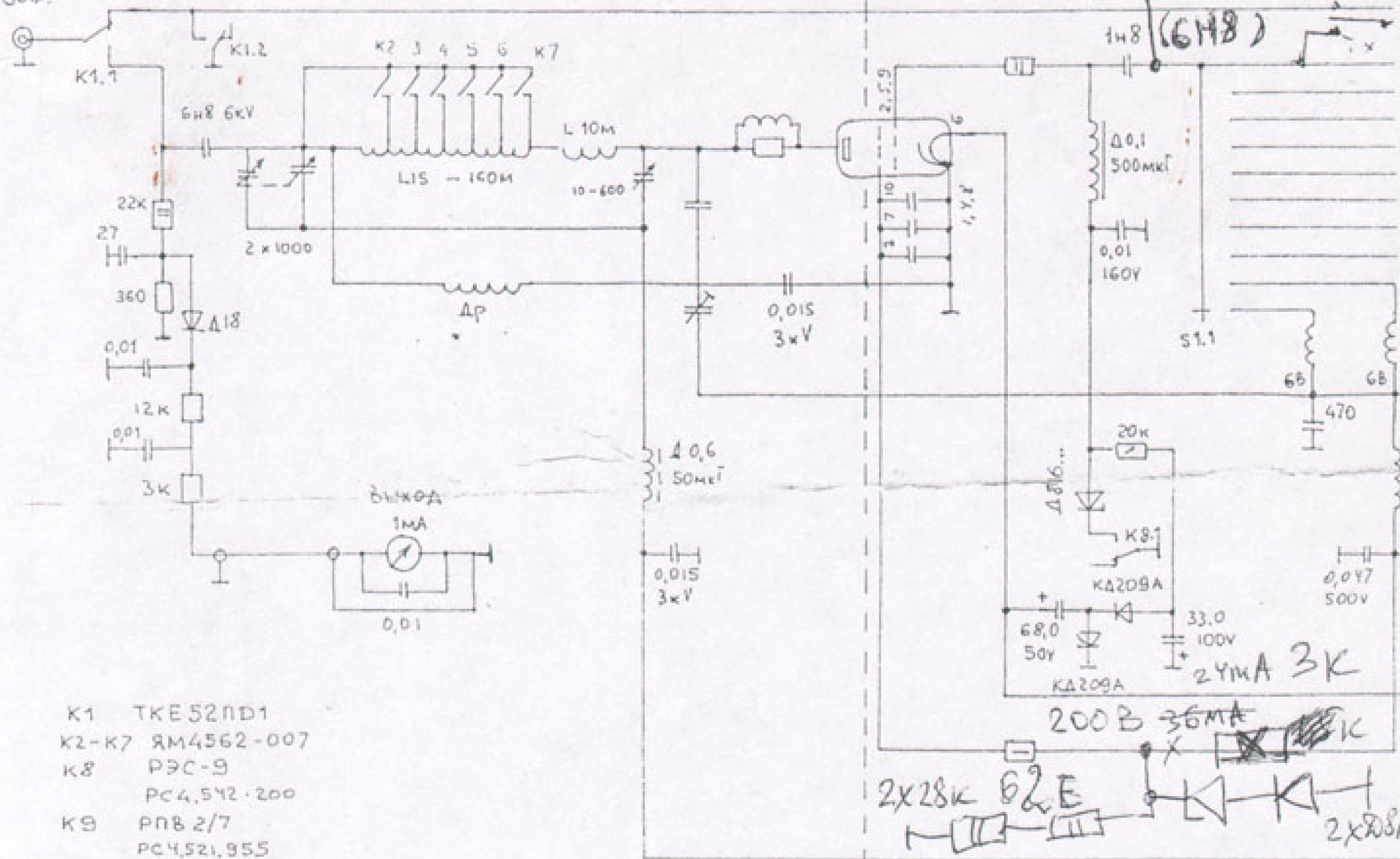
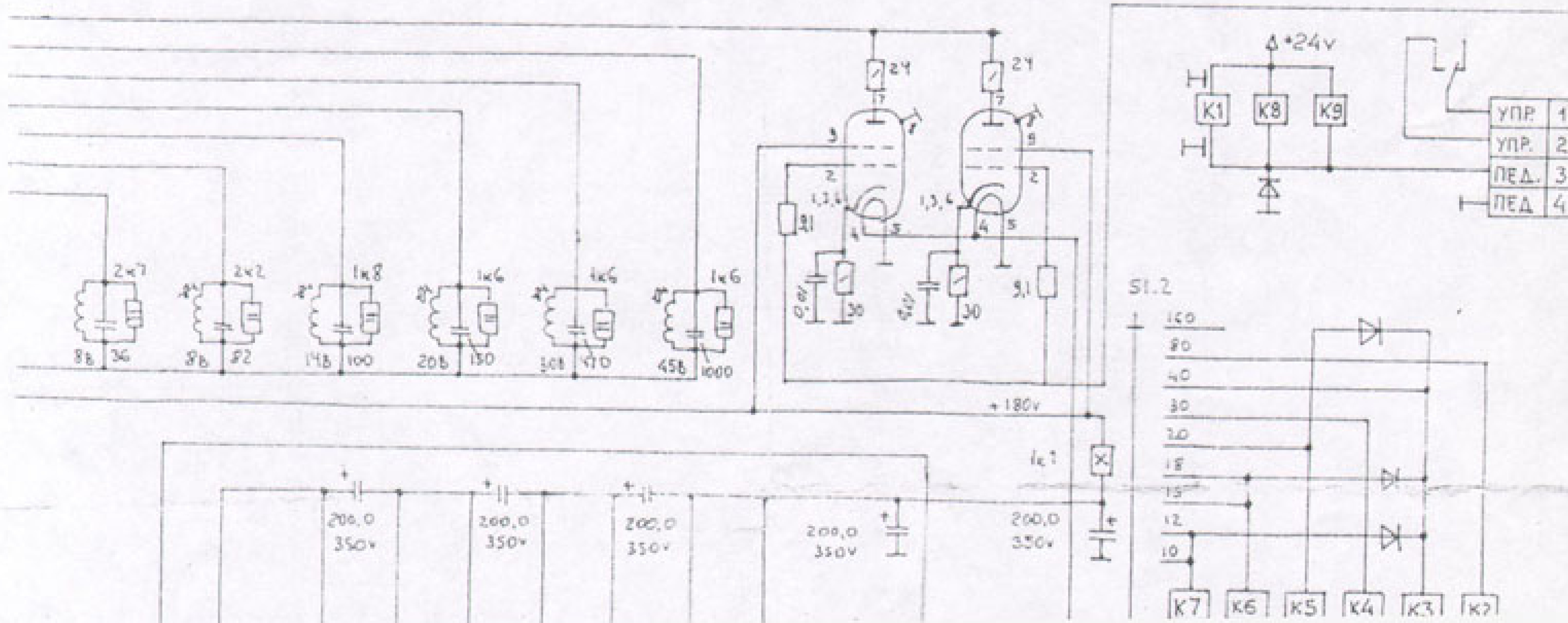


ВЫХ.



- K1 TKE52ND1
- K2-K7 ЯМ4562-007
- K8 PЭC-9  
PC4.542-200
- K9 PПB 2/7  
PC4.521.955



500mA 12V

148 (6M8)

Δ 0,1 500MkF

0,01 160V

20k

Δ 816...

KA209A

68,0 50V

33,0 100V

24mA 3K

200B 35MA

2x28k 62E

2x208/

УПР.	1
УПР.	2
ПЕД.	3
ПЕД.	4

SI.2

